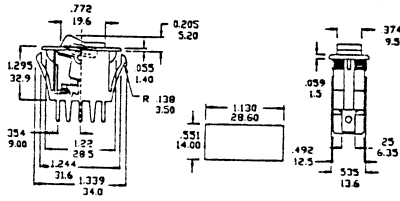


# SWITCHES ROCKER

## ROCKER SWITCHES



Mounting Hole: 0.00 > ; 1.13 >



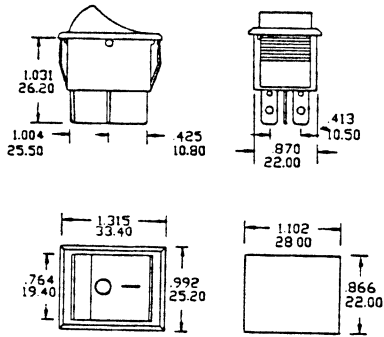
### SPECIFICATIONS:

<b>Current Rating:</b>	16A @ 125V AC, 10A @ 250V AC
<b>Initial Contact Resistance:</b>	50 Meg ohm (Max.)
<b>Insulation Resistance:</b>	500V DC 100 Meg ohm (Min.)
<b>Dielectric Strength:</b>	1500V AC for 1 minute
<b>Contact Material:</b>	Copper - Silver Plate
<b>Terminal Material:</b>	Copper - Silver Plate
<b>Terminal Type:</b>	.250" Quick Connect

Part No.	Type	Action			Actuator
30-16091	SPST	ON	-	OFF	Black Nylon
30-16093	SPST	ON	-	OFF	Black Nylon with Red Legend
30-16703*	SPST	ON	-	OFF	Black Nylon with Red Legend
30-16094	SPDT	ON	OFF	ON	Black Nylon
30-10080	SPDT	ON	-	ON	Black Nylon

\*= 3/4 HP Rating

## POWER ROCKER SWITCH



Mounting Hole: 0.87 > ; 1.10 >

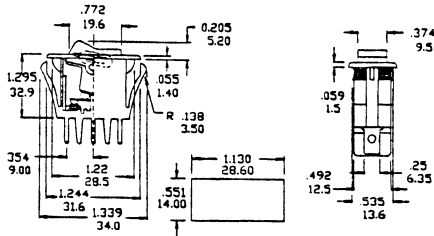


### SPECIFICATIONS:

<b>Current Rating:</b>	16A @ 125V AC, 10A @ 250V AC
<b>Initial Contact Resistance:</b>	50 Meg ohm (Max.)
<b>Insulation Resistance:</b>	500V DC 100 Meg ohm (Min.)
<b>Dielectric Strength:</b>	1500V AC for 1 minute
<b>Contact Material:</b>	Copper - Silver Plate
<b>Terminal Material:</b>	Copper - Silver Plate
<b>Terminal Type:</b>	.250" Quick Connect

Part No.	Type	Action			Actuator
30-10082	DPDT	ON	-	ON	Nylon

## POWER ROCKER SWITCH



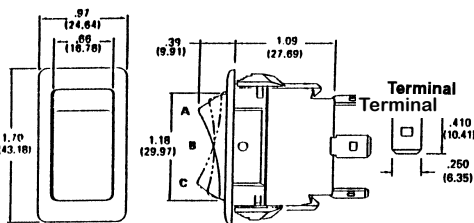
Mounting Hole: 0.00 > ; 1.13 >

### SPECIFICATIONS:

<b>Current Rating:</b>	16A @ 125V AC, 10A @ 250V AC
<b>Initial Contact Resistance:</b>	50 Meg ohm (Max.)
<b>Insulation Resistance:</b>	500V DC 100 Meg ohm (Min.)
<b>Dielectric Strength:</b>	1500V AC for 1 minute
<b>Contact Material:</b>	Copper - Silver Plate
<b>Terminal Material:</b>	Copper - Silver Plate
<b>Terminal Type:</b>	.250" Quick Connect

Part No.	Type	Action			Actuator
30-10084	SPST	ON	-	OFF	Red Nylon

## SINGLE POLE HEAVY DUTY ROCKER SWITCHES (Moisture and Dust Resistant)



Recommended Mounting Hole:  
 ±.01: 9.381 9.00: 9.127  
 Fits .830 (21.08) ; 1.4:0 (36.83) panel cutout in  
 .093 (2.36) <.12: (3.18) <.187 (4.7:) thick panels.



### SPECIFICATIONS:

<b>Current Rating:</b>	20A @ 125V AC, 10A @ 277V AC 3/4 HP @ 125-250V AC
<b>Initial Contact Resistance:</b>	5 Meg ohm (Max.)
<b>Insulation Resistance:</b>	100 Meg ohm (Min.)
<b>Dielectric Strength:</b>	1000V AC for 1 minute
<b>Gasket:</b>	Molded Elastomer
<b>Case:</b>	UL94 Flame Class, 94V-2
<b>Contact Material:</b>	Brass
<b>Terminal Material:</b>	Brass
<b>Terminal Type:</b>	.250" Quick Connect

Part No.	Type	Action			Actuator
30-600	SPST	ON	-	OFF	Black Nylon
30-670	SPST	ON	-	(OFF)	Black Nylon
30-610	SPDT	ON	-	ON	Black Nylon
30-620	SPDT	ON	OFF	ON	Black Nylon

NOTE: ( ) = Momentary